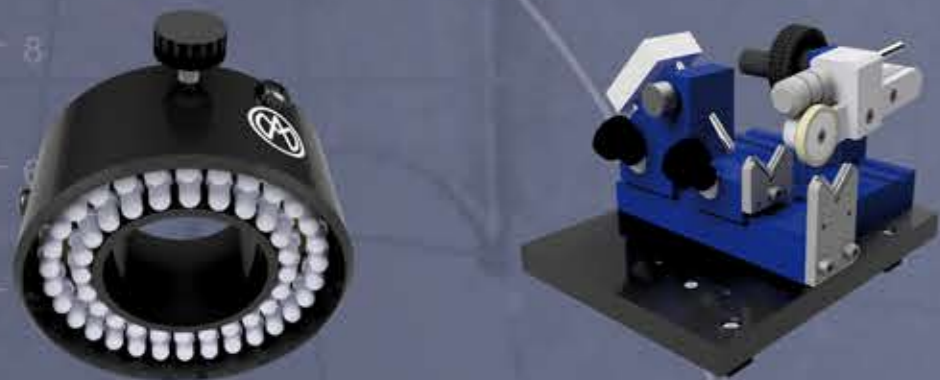
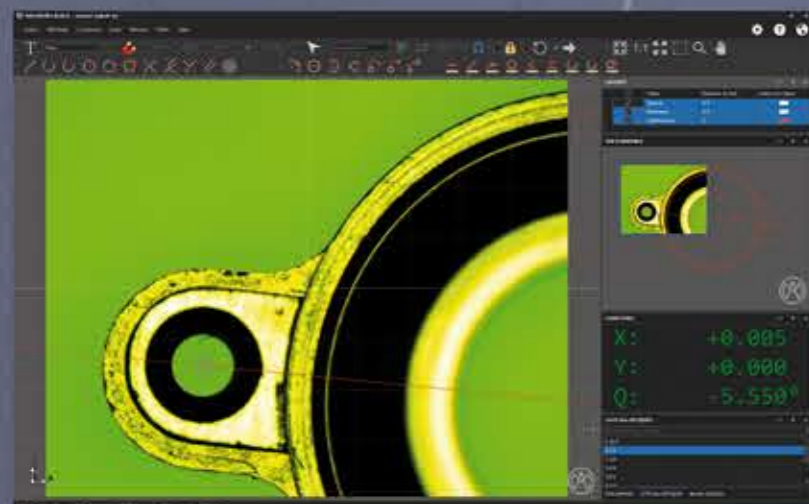


Illuminators & accessories



Wide choice of illuminators, accessories and tools

New



VideoPLAN

Comparison and measuring software with machine axis management

OptiMIC



Microscope optics

Mounting:
on tube or chuck mount

Magnifications:
from 3X to 130X

Fields of view:
from Ø1.3mm to Ø85.2mm

Wide choice of reticles

OptiVID



Video optics with camera

Fixed focal or zoom lens

Mounting:
on tube or chuck mount

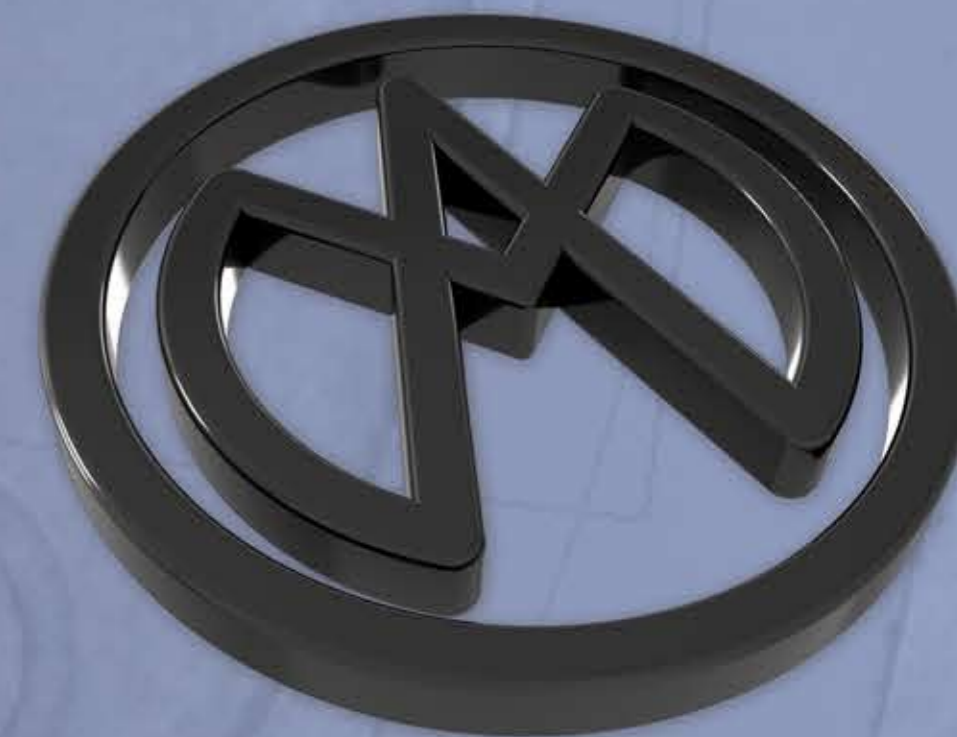
Magnifications:
from 5X to 2655X

Fields of view:
from 0.15x0.12mm to 466x373mm

Wide choice of cameras and software



optical measuring systems



Customized solutions

since 1946

Gurnigelstrasse 48, 2560 Nidau, Switzerland • +41 (0)32 365 51 31 • www.marcel-aubert-sa.ch

OpenMIC



Fast measurement and high vertical clearance

Table ranges:
from 25x25 to 50x50mm

Magnifications:
from 10X to 100X

Fields of view:
from \varnothing 1.3mm to \varnothing 21.3mm

OpenSYS



Measurement with micrometric screw

Table ranges:
from 25x25mm to 50x50mm

Magnifications:
from 20X to 310X

Fields of view:
from 1.5x1.1mm to 21.1x15.8mm

Optimum GL



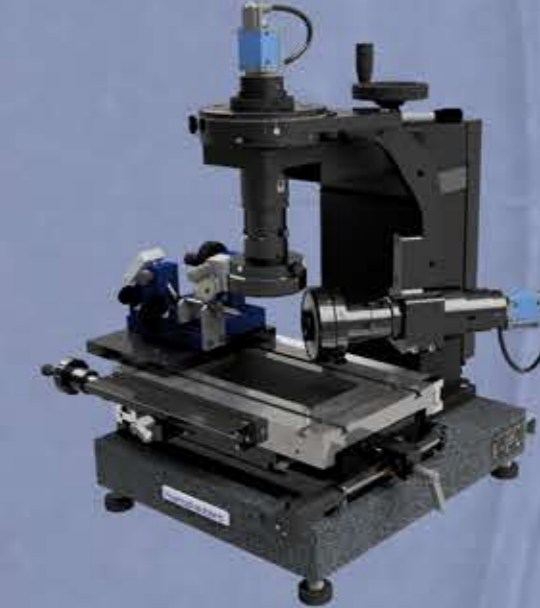
Granit column for very high rigidity

Table ranges:
from 150x70mm to 200x100mm
manual or motorized

Magnifications:
from 18X to 470X

Fields of view:
from 1.0x0.8mm to 29.7x19.9mm

Rotatif



Dual optics for the measurement of cutting tools

Table ranges:
from 150x70mm to 200x100mm

Magnifications:
from 35X to 820X

Fields of view:
from 0.6x0.4mm to 14.7x9.2mm

Measurement with calculator

Table ranges:
from 70x70mm to 150x70mm

Magnifications:
from 10X to 65X

Fields of view:
from \varnothing 3.3mm to \varnothing 21.3mm



Measurement with a wide choice of software

Table ranges:
from 70x70mm to 150x70mm

Magnifications:
from 25X to 465X

Fields of view:
from 1.0x0.7mm to 18.3x13.7mm

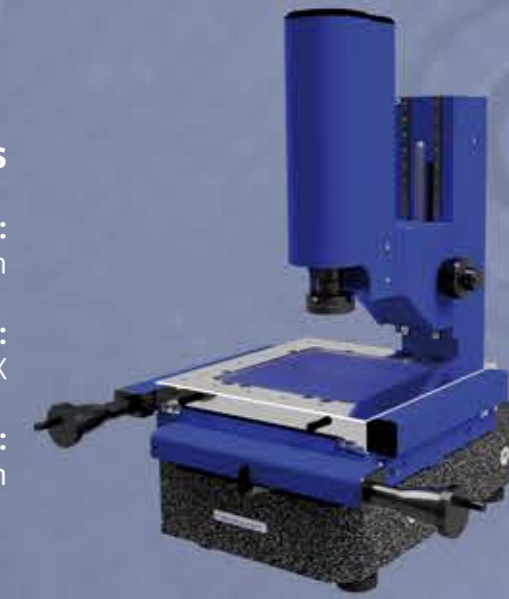


Large XY ranges

Table ranges:
from 150x100mm to 300x300mm

Magnifications:
from 25X to 500X

Fields of view:
from 1.0x0.8mm to 18.3x13.7mm



Recto Verso

Dual optics for the measurement of two opposite faces

Table ranges:
from 150x70mm to 200x100mm
manual or motorized

Magnifications:
from 25X to 280X

Fields of view:
from 1.4x1.1mm to 17.5x14mm

